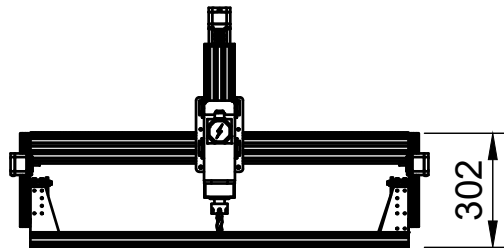
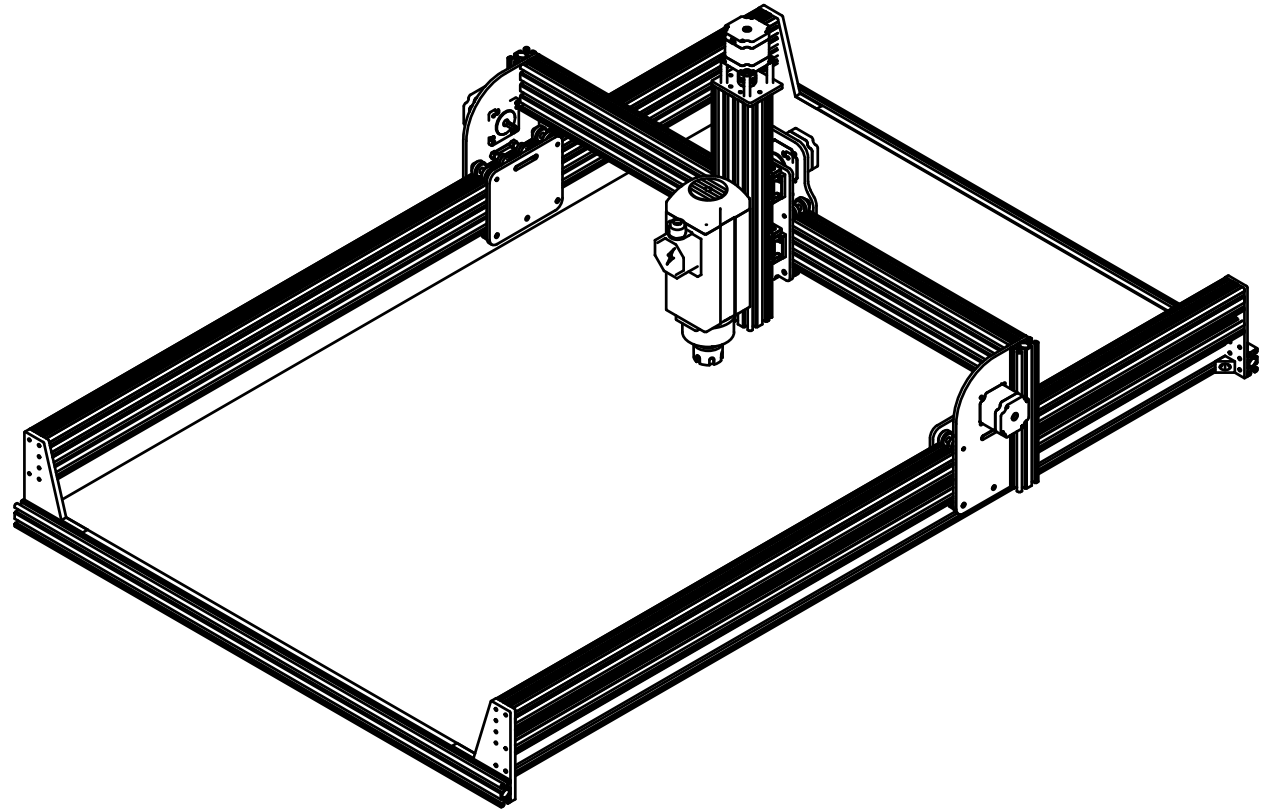
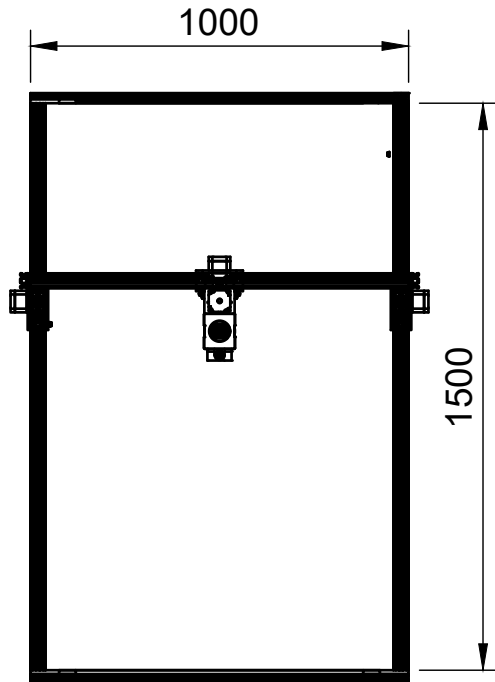


# a Dalarö Design

Mach3 controlled CNC

Scale 1 : 11  
(Scale 1 : 20)

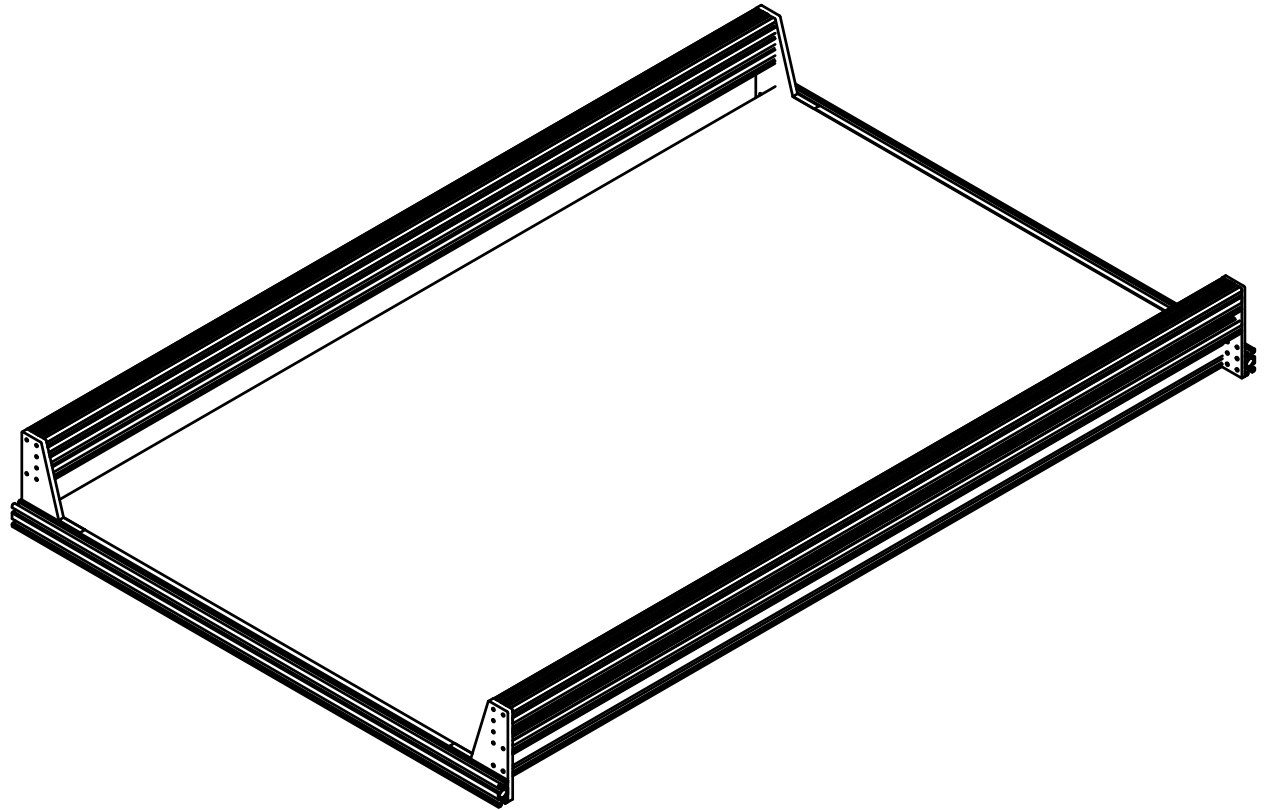
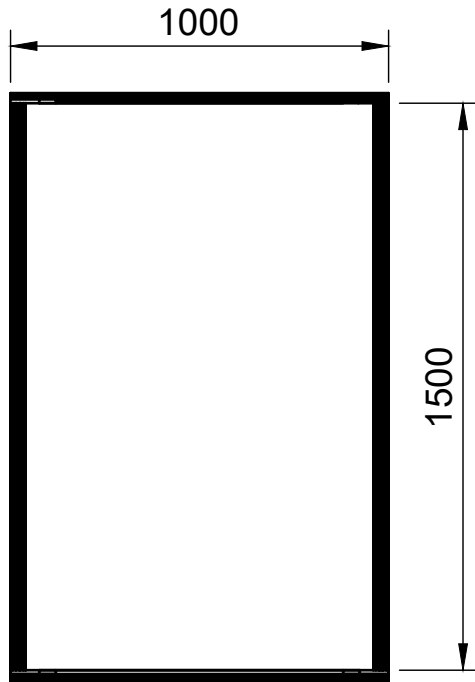


Dept.	Technical reference	Created by felix wackenhuth 2023-06-07	Approved by	
		Document type Preview	Document status Under progress	
		Title Mach3 - Computer Numerical Control	DWG No.	
		Rev.	Date of issue	Sheet 1/5

# Frame

Mach3 controlled CNC

Scale 1 : 11  
(Scale 1 : 20)

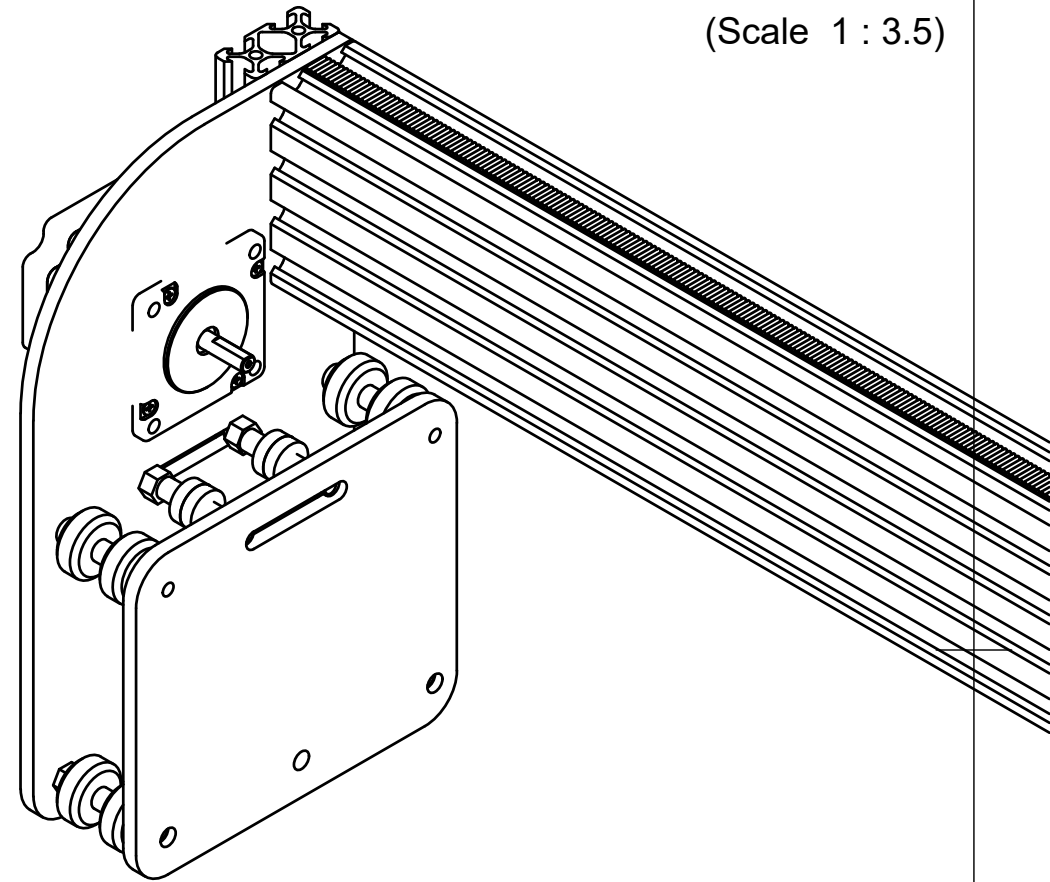
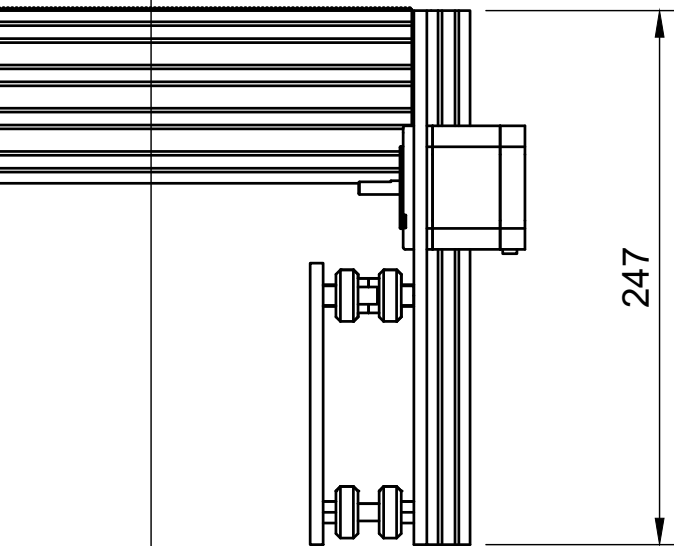
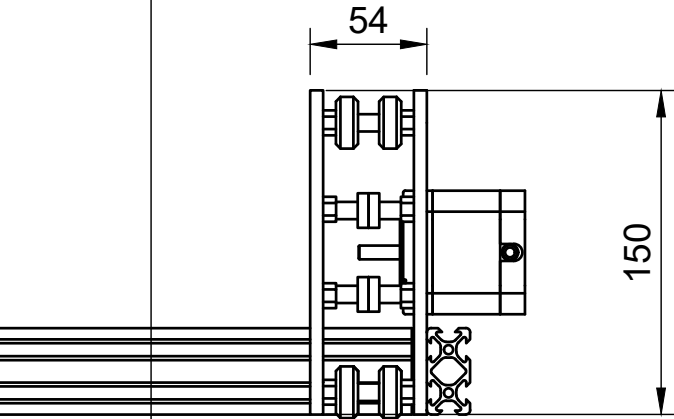


Dept.	Technical reference	Created by felix wackenhuth 2023-06-07	Approved by	
		Document type Preview	Document status Under progress	
		Title Mach3 - Computer Numerical Control	DWG No.	
		Rev.	Date of issue	Sheet 2/5

# Y-Axis

Mach3 controlled CNC

Scale 1 : 2.5  
(Scale 1 : 3.5)

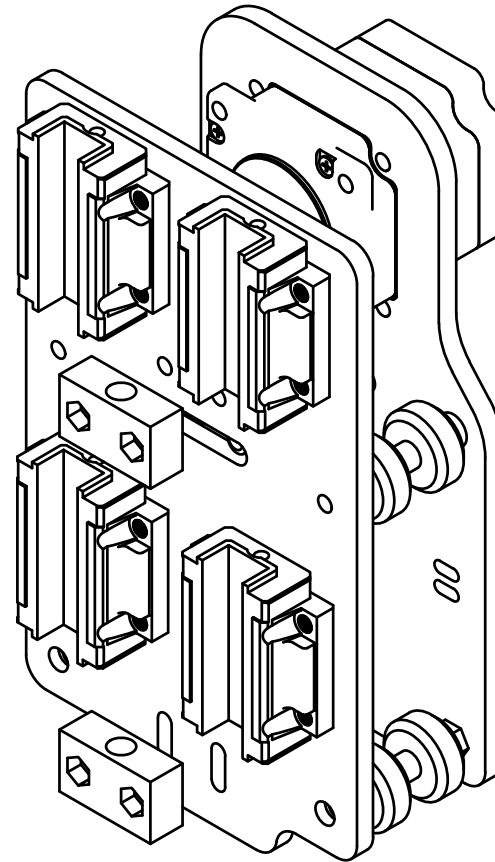
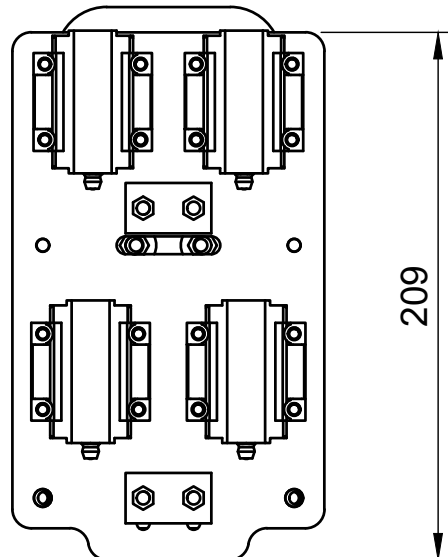
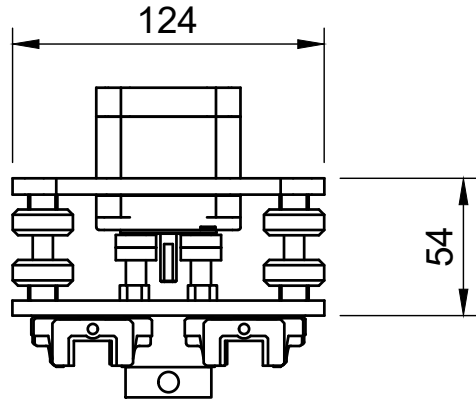


Dept.	Technical reference	Created by felix wackenhuth 2023-06-07	Approved by	
		Document type Preview	Document status Under progress	
		Title Mach3 - Computer Numerical Control	DWG No.	
		Rev.	Date of issue	Sheet 3/5

# X-Axis

Mach3 controlled CNC

Scale 1 : 2  
(Scale 1 : 3)

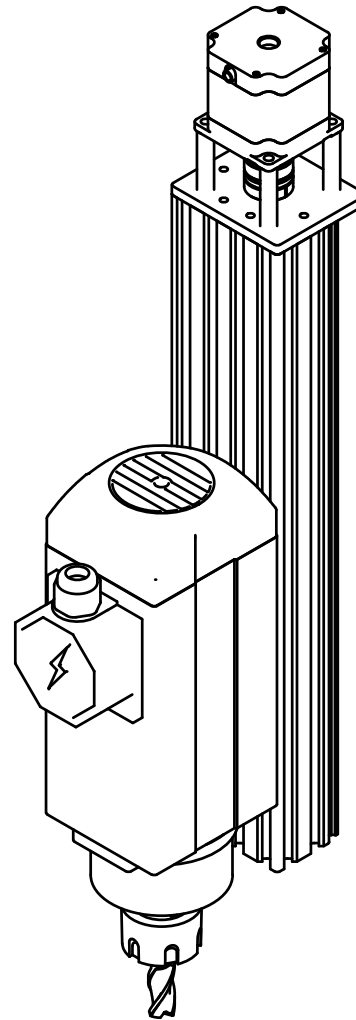
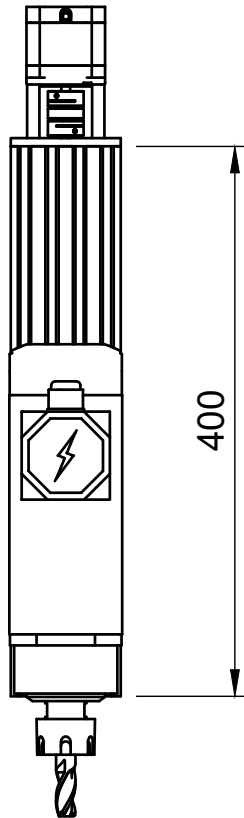
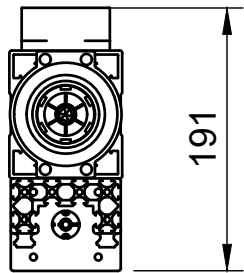


Dept.	Technical reference	Created by felix wackenhuth 2023-06-07	Approved by	
		Document type Preview	Document status Under progress	
		Title Mach3 - Computer Numerical Control	DWG No.	
		Rev.	Date of issue	Sheet 4/5

# Z-Axis

Mach3 controlled CNC

Scale 1 : 4  
(Scale 1 : 5.5)



Dept.	Technical reference	Created by felix wackenhuth 2023-06-07	Approved by	
		Document type Preview	Document status Under progress	
		Title Mach3 - Computer Numerical Control	DWG No.	
		Rev.	Date of issue	Sheet 5/5